

3600PSI Spring Check Valve

ZQV

SCV Series

Equal to

DFT SCV Model

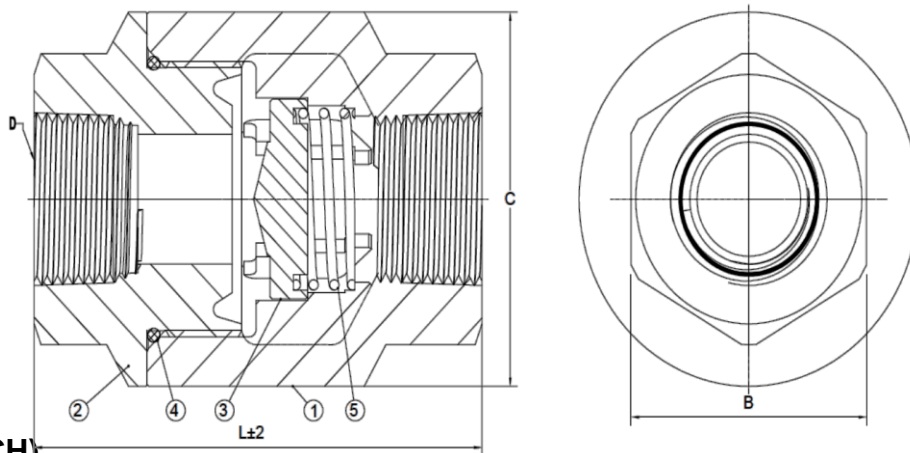


Specifications:

- ❖ Size: 1" ,2"
- ❖ Body Material: A351 CF8M SS316
- ❖ Pressure: 3600 PSI CWP
- ❖ Inconel X-750 Spring
- ❖ O-Ring Body Seal
- ❖ NPT and SW Ends
- ❖ Inspection and Test :API 598
- ❖ Options
 - SS316 Springs
 - Body Seal Welded
 - Soft Seat

Parts & Materials

NO.	Parts	Material
1	Body	A351 CF8M SS316
2	Cap	A351 CF8M SS316
3	Disc	SS316
4	Body Seal	VTION
5	Spring	Inconel X-750



Dimensions(INCH)

Part#	Size	Pressure	Weight(lbs)	L	H	d	D
SCV06S-3600	1"	3600PSI	4.35	3.74	2.83	1.00	11.5NPT
SCV09S-3600	2"	3600PSI	14.24	6.38	4.29	2.00	11.5NPT



ZHEJIANG ZHENGQIU VALVE CO.,LTD

High and new industrial zone
Yongzhong, Wenzhou, Zhejiang
China 325024

Tel: +86 577 86911288
Fax: +86 577 86911558
Sale@cnballvalve.com

WWW.CNBALLVALVE.COM
WWW.GOODBALLVALVES.COM