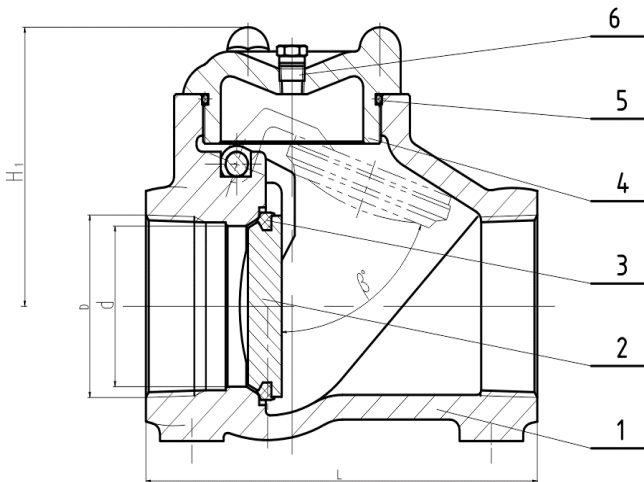


# Carbon Steel Oilfield Check Valve 3000PSI-5000PSI

# ZQV

## CSCV Series



### Specifications:

- ❖ Size: 1" ,2",2.5",3",4"
- ❖ Body Material: ASTM A 216 WCB Carbon Steel
- ❖ Pressure: 3000 to 5000 PSI CWP
- ❖ FULL OPEN
- ❖ Disk: 304 SS, SS316(Optional)
- ❖ Seat and Seal: Viton
- ❖ Threadeds Conform to ASME B1.20.1(NPT)
- ❖ MEET TO NACE MR-01-75
- ❖ NACE MR-0175 Compliance
- ❖ Inspection and Test :API 598
- ❖ Hex.Cap(Optional)

### Parts & Materials

NO.	Parts	Material
1	Body	A216 WCB
2	Disc	SS304
3	Seat	VTION
4	Cap	A216 WCB
5	O-ring	VTION
6	Plug	ASTM A105

### Dimensions(INCH)

Part#	Size	Pressure	Weight(lbs)	L	H	d	D
CSCV06V50	1"	300-5000PSI	5.43	4.72	3.15	1.00	11.5NPT
CSCV09V50	2"	300-5000PSI	14.93	7.25	4.33	2.00	11.5NPT
CSCV10V30	2.5"	300-5000PSI	25.00	8.00	4.90	2.50	8NPT
CSCV11V30	3"	300-3000PSI	28.48	8.00	5.39	3.00	8NPT
CSCV12V30	4"	300-3000PSI	43.48	10.00	7.87	4.00	8NPT



ZHEJIANG ZHENGQIU VALVE CO.,LTD

High and new industrial zone  
Yongzhong, Wenzhou, Zhejiang  
China 325024

Tel: +86 577 86911288  
Fax: +86 577 86911558  
E-mail:sale@cnballvalve.com

WWW.CNBALLVALVE.COM  
WWW.GOODBALLVALVES.COM