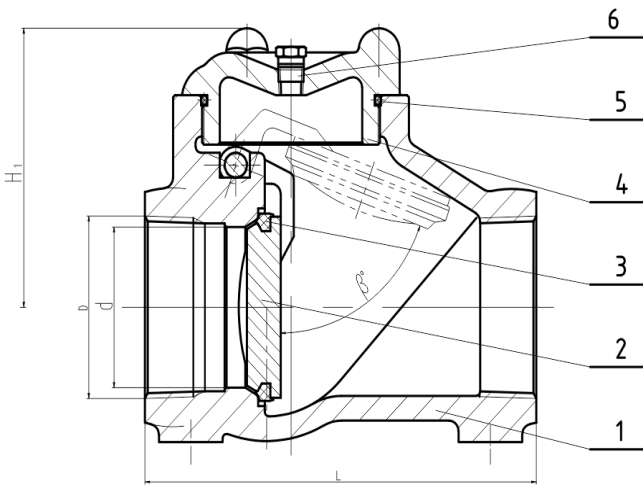


Ductile Iron Oilfield Check Valve

300PSI-2000PSI

ZQV

DICV Series



Specifications:

- ❖ Size: 1" ,2",2.5",3",4"
- ❖ Body Material: ASTM A 395 Ductile Iron
- ❖ Pressure: 300 to 2000 PSI CWP
- ❖ FULL OPEN
- ❖ Disk: 304 SS, SS316(Optional)
- ❖ Seat and Seal: Viton
- ❖ Threadeds Conform to ASME B1.20.1(NPT)
- ❖ MEET TO NACE MR-01-75
- ❖ NACE MR-0175 Compliance
- ❖ Inspection and Test :API 598
- ❖ Hex.Cap(Optional)

Parts & Materials

NO.	Parts	Material
1	Body	A395 DI
2	Disc	SS304
3	Seat	VTION
4	Cap	A395 DI
5	O-ring	VTION
6	Plug	ASTM A105

Dimensions(INCH)

Part#	Size	Pressure	Weight(lbs)	L	H	d	D
DICV06V20	1"	300-2000PSI	5.17	4.72	3.15	1.00	11.5NPT
DICV09V20	2"	300-2000PSI	12.17	6.00	4.33	2.00	11.5NPT
DICV09V20L	2" Long type	300-2000PSI	14.93	7.25	4.25	2.00	11.5NPT
DICV10V20	2.5"	300-2000PSI	20.17	8.00	4.90	2.50	8NPT
DICV11V20	3"	300-2000PSI	22.26	8.25	5.35	3.00	8NPT
DICV12V10	4"	300-1000PSI	40.22	10.00	6.26	4.00	8NPT
DICV12V20	4"	1500-2000PSI	56.52	10.00	7.87	4.00	8NPT



ZHEJIANG ZHENGQIU VALVE CO.,LTD

High and new industrial zone
Yongzhong, Wenzhou, Zhejiang
China 325024

Tel: +86 577 86911288
Fax: +86 577 86911558
E-mail:sale@cnballvalve.com

WWW.CNBALLVALVE.COM
WWW.GOODBALLVALVES.COM